



300

616 Dump



KEY FEATURES

- Wide Cabin
- Dual SRS Airbags
- ABS Brakes with Electronic Brakeforce Distribution
- Easy Start – Take Off Assist
- ADR 80/02 Compliant
- Ventilated Disc Brakes
- Corner Turning Lamps
- Energy Absorbing Steering Wheel
- Factory Dump – 1.9m³ Body
- Two-way Tail Gate with Drop Sides

KEY SPECIFICATIONS

- GVM** 5500kg, optional 4495kg
- GCM** 9000kg, optional 7995kg
- Engine** . . . 4.0-litre, Common Rail, Direct Injection,
. Turbocharged and Intercooled
- Power** 110kW @ 2700rpm (ISO)
- Torque** 397Nm @ 1800rpm (ISO)
- Wheelbase** 2810mm





616 Dump

Engine, Driveline & Chassis specifications

PERFORMANCE & GEAR RATIOS

Maximum speed (km/h) 120
 Gradeability tan Θ % 52.1

1st4.981	4th1.000
2nd2.911	5th0.738
3rd1.556	Rev.4.625

Final drive ratio 4.875:1

AXLE LOAD & TYRE LOAD LIMITS

Front axle 2600kg
 Tyres 2360kg
 Rear axle 4480kg
 Tyres 4400kg
 Front axle type Reversed Elliot, "I" section beam
 Rear axle type Full-floating, single reduction, single speed by Hypoid gears

SUSPENSION

Front suspension Semi-elliptic tapered leaf springs with silencers, shock absorbers and stabiliser bar
 Spring dimensions, span & width . . . 1250mm x 70mm
Rear suspension Semi-elliptic main and auxiliary tapered leaf springs with silencers and shock absorbers
 Spring dimensions, span & width . . . 1300mm x 70mm
 Auxiliary springs 900mm x 70mm

WHEEL & TYRES

Wheel type 5-stud disc wheel
 Wheel & rim size 195/85R16 114/112 & 16x5.5K-113mm
 Number of tyres Seven including spare
 Spare tyre carrier Equipped

ELECTRICAL

Type 24 volt, negative earth
 Batteries 12V x 2, series connected
 Alternator type Built-in rectifier and voltage regulator
 Capacity 24V – 60-A
 Starter capacity 24V, 4.5kW

CHASSIS FRAME

Type Ladder-shaped channel section side rails
 Chassis width at rear 750mm
 Max. section (depth x flange x thickness) 191 x 65 x 5.0mm
 Tensile strength 540N/mm²
 Towing hooks Equipped at front and rear
 Front bumper Painted to cabin colour

ENGINE

Engine Hino N04C TV
 Max output (ISO Net) 110kW at 2700rpm
 Max torque (ISO Net) 397Nm at 1800rpm
 Maximum engine speed 3200rpm
 Type Diesel, four cycle, four-cylinder in line, overhead valve, water cooled
 Combustion system Direct injection type
 Bore & stroke 104mm x 118mm
 Piston displacement 4.009 litres
 Fuel injection system Electronic control, common rail type
 Air intake system Turbo-intercooled, stack-type air intake
 Air cleaner Paper element
 Fan clutch Equipped
 Catalytic converter Equipped
 Exhaust outlet Horizontal

TRANSMISSION

Model M550
 Type Five-speed overdrive manual
 Clutch type Dry single plate, diaphragm type with damper springs
 Facing outside diameter 325mm
 Facing lining area 483mm x 2cm²
 Control Hydraulic with vacuum booster
 PTO Transmission PTO
 Hydraulic pump Gear type
 PTO & dump control Levers in cabin

BRAKES

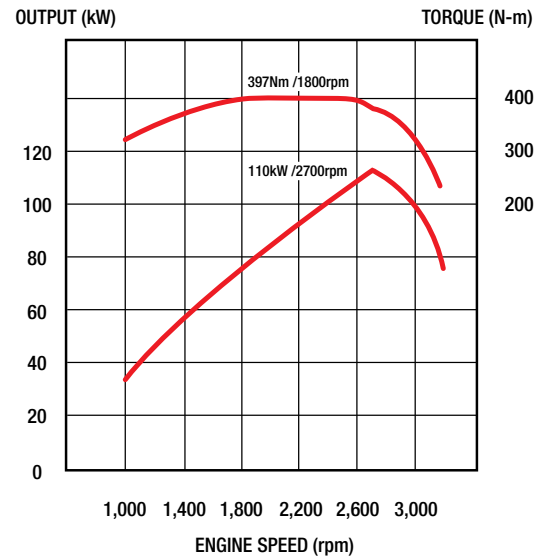
Service brakes Hydraulic system with ventilated disc brakes front and rear
 Control Vacuum servo with hydraulic assist & dual circuits
 Front disc diameter 296mm
 Rear disc diameter 281mm
 Anti-lock system (ABS) Equipped
 Electronic Brakeforce Distribution (EBD) Equipped
 Easy Start system Equipped
 Exhaust brake Electric-vacuum actuator with valve in exhaust pipe



616 Dump Cab equipment & Instrumentation



POWER & TORQUE CHART (ISO Net)



CAB EXTERIOR

Type	Forward control, all steel welded construction, torsion-bar tilt mechanism, fully trimmed
Windscreen wipers.	Electric, dual wipers, intermittent and 2-speed
Outside rear mirrors	Two, moveable flat type
Radiator grille	Painted same colour as cabin
Lamps	Halogen headlamps, cornering lamps, fog lamps

CAB INTERIOR

Steering	Telescopic tilt column with integral power steering
Windscreen glass	Laminated glass
Seating capacity	Three
Driver's seat	2-way adjustable, urethane foam pads, high-back seat
Assistant's seat	Fixed, urethane foam pads, high-back seat
Seat cover.	Fabric cover
Seat belts	
Driver's seat	3-point type with ELR and pre-tensioner
Assistant's seat	3-point type with ELR and Pre-tensioner
Centre passenger's seat.	2-point type
Sun visors	For driver and passenger
Ventilator	Forced type by electric blower
Inside rear mirror	One, flat type
Cigarette lighter (24 volt)	Equipped
Audio	AM/FM radio with CD player
Heater and defroster	Equipped
Air conditioner	Equipped
Auto door lock	Equipped
Power windows	Equipped
SRS airbags	Equipped for driver and assistant
Seat back console	Equipped (centre)
Overhead consoles.	For driver and assistant
Cup holder.	Equipped

DUMP BODY

Capacity	2.1m ³
Dump angle	60 degrees

INSTRUMENTS

1. Meter and gauges

- km-kg system
- Speedometer
- Fuel gauge
- Coolant temperature gauge
- Engine tachometer

2. Warning, pilot lamps and buzzers

- Turning signal & hazard indicator lamp
- Exhaust brake indicator lamp
- Engine oil pressure warning lamp
- Battery charge warning lamp
- Beam indicator lamp
- Parking brake indicator lamp
- Engine malfunction indicator lamp
- Fuel level warning lamp
- Fuel filter water accumulating level warning lamp
- Brake fluid level warning lamp
- Back-up warning buzzer
- Cab-tilt warning lamp
- ABS system failure warning lamp
- SRS airbag system failure warning lamp
- Easy Start indicator lamp

3. Switches

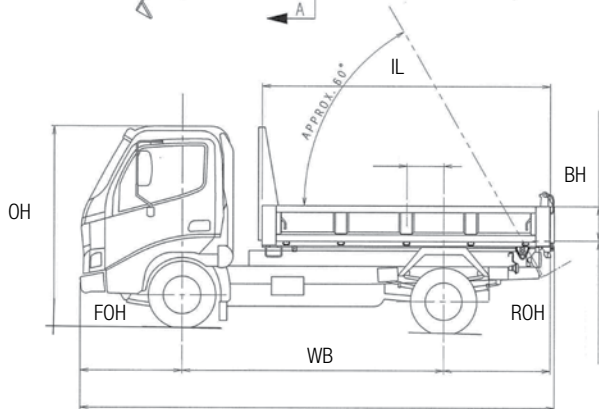
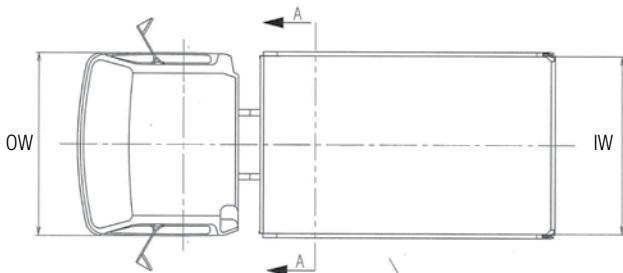
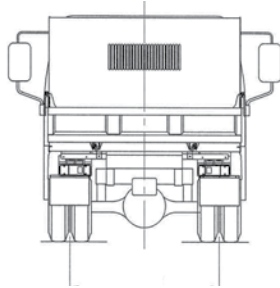
- Lighting switch
- Directional indicator, dimmer, passing switch
- Room lamp switch
- Hazard lamp switch
- Wiper and washer switch
- Exhaust brake switch
- Easy Start switch
- Easy Start release timing adjuster

4. Others

- One-key starting-stopping
- Horn button
- Remote keyless entry



616 Dump Dimensions



DIMENSIONS - mm / Capacities

Product code	XZU407R-HKMMDQ3 Dump
Model	616 Dump
Wheelbase (WB)	2810
Overall length (OL)	5040
Overall width (OW)	1995
Overall height (OH)	2180
Front overhang (FOH)	1045
Rear overhang (ROH)	1140
Inside body length (IL)	3100
Inside body width	1900
Body side height (BH)	370
Road clearance	185
Turning circle - m (kerb-to-kerb)	9.8
Turning circle - m (wall-to-wall)	11.1
Fuel tank - lt.	100
Chassis mass - kg (minimal fuel, without spare tyre or tools)	
Total	3005
Front	1670
Rear	1335
GVM	5500
GCM	9000

DEALERSHIP

WARRANTIES

New vehicle warranty period

Light Duty Model	Axle configuration	Standard warranty <small>(whichever comes first)</small>	Cab corrosion perforation
300 616 Dump	4 x 2	3 years or 100,00km	36 months

Battery warranty is 12 months from date of delivery.

DISCLAIMER

Important notice. Hino Trucks are distributed in Australia by Hino Motor Sales Australia Pty Ltd A.C.N. 064 989 724. Information contained in this brochure was correct at time of printing. Hino Motor Sales Australia Pty Ltd reserves the right to alter any details of the specifications and equipment without notice. Hino in so far as it is permitted by law to do so, shall not be liable in any way as a result of any reliance placed by any person on anything contained in this brochure. You should therefore check with your authorised Hino dealer at the time of ordering your motor vehicle to ensure that colour, specifications, equipment, design features and options are available for the vehicle you are ordering. Please note that some options may only be available in combination with others. Authorised Hino dealers will on request provide up to date information on all accessories, design features, prices and availability.

Date of issue 14/02/08 616 Dump V-3