



300

816



KEY FEATURES

- Wide Cabin
- Dual SRS Airbags
- ABS Brakes with Electronic Brakeforce Distribution
- Easy Start – Take Off Assist (for Medium & Long)
- ADR 80/02 Compliant
- Ventilated Disc Brakes
- Corner Turning Lamps
- Energy Absorbing Steering Wheel

KEY SPECIFICATIONS

- GVM** . . . 7500kg (Medium & Long), 7300kg (Auto)
 Optional 4495kg
- GCM** . . . 11,000kg (Medium & Long), 7300kg (Auto)
 Optional 7995kg (Medium & Long)
- Engine** . . . 4.0-litre, Common Rail, Direct Injection,
 Turbocharged and Intercooled
- Power** 110kW @ 2700rpm (ISO)
- Torque** 397Nm @ 1800rpm (ISO)
- Wheelbases** 3430mm (Medium & Auto),
 3870mm (Long)



816

Engine, Driveline & Chassis specifications

ENGINE

Engine	Hino N04C TV
Max output (ISO Net)	110kW at 2700rpm
Max torque (ISO Net)	397Nm at 1800rpm
Maximum engine speed	3200rpm
Type	Diesel, four cycle, four-cylinder in line, overhead valve, water cooled
Combustion system	Direct injection type
Bore & stroke	104mm x 118mm
Piston displacement	4.009 litres
Fuel injection system	Electronic control, common rail type
Air intake system	Turbo-intercooled, stack-type air intake
Air cleaner	Paper element
Fan clutch	Equipped
Catalytic converter	Equipped
Exhaust outlet	Horizontal

TRANSMISSION

Model Manual	MYY6S
Type	Six-speed overdrive manual, synchromesh on all gears including reverse
Model Auto	A860E
Type	Six-speed electronically controlled overdrive automatic with torque converter lock-up on 2nd, 3rd, 4th, 5th and 6th gears
Hill Descent Control	Equipped

CLUTCH

Type	Dry single plate, diaphragm type with damper springs
Facing material	Semi-mould
Facing outside diameter	325mm
Facing lining area	483 x 2cm ²
Control	Hydraulic with vacuum booster

BRAKES

Service brakes	Hydraulic system with ventilated disc brakes front and rear
Control	Vacuum servo with hydraulic assist & dual circuits
Front disc diameter	296mm
Rear disc diameter	281mm
Anti-lock system (ABS)	Equipped
Electronic Brakeforce Distribution (EBD)	Equipped
Easy Start system	Equipped (Medium & Long)
Exhaust brake	Electric-vacuum actuator with valve in exhaust pipe

PERFORMANCE & GEAR RATIOS

Maximum speed (km/h) 122 (Auto), 111 (Medium & Long)
 Gradeability tan θ % 60.0 (Auto), 47.4 (Medium & Long)

MYY6S

1st5.979	5th1.000
2nd3.434	6th0.759
3rd1.862	Rev.5.701
4th1.297		

A860E

1st3.742	5th0.773
2nd2.003	6th0.634
3rd1.343	Rev.3.697
4th1.000		

Final drive ratio (Medium & Long) 5.375:1
 (Auto) 5.883:1

AXLE LOAD & TYRE LOAD LIMITS

Front axle	3100kg
Tyres	2800kg
Rear axle	5500kg
Tyres	5280kg
Front axle type	Reversed Elliot, "I" section beam
Rear axle type	Full-floating, single reduction, single speed by Hypoid gears

SUSPENSION

Front suspension	Semi-elliptic tapered leaf springs with silencers, shock absorbers and stabiliser bar
Spring dimensions, span & width	1250mm x 70mm
Rear suspension	Semi-elliptic main and auxiliary tapered leaf springs with silencers and shock absorbers
Spring dimensions, span & width	1300mm x 70mm
Auxiliary springs	900mm x 70mm

WHEEL & TYRES

Wheel type	6-stud disc wheel
Wheel & rim size	215/85R16 120/118 & 16x5.5K- 122mm
Number of tyres	Seven including spare
Spare tyre carrier	Equipped

ELECTRICAL

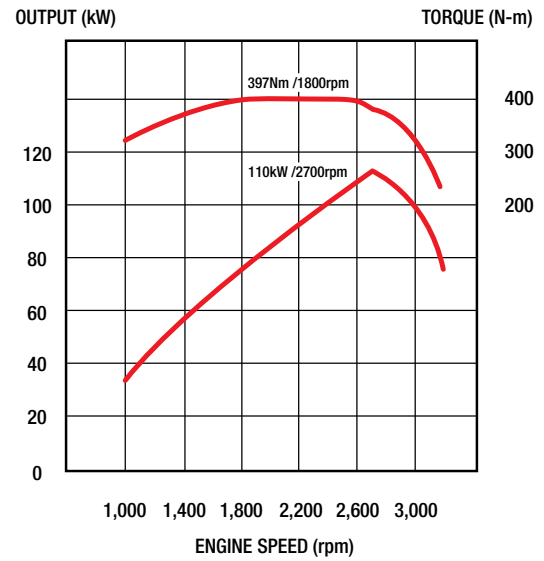
Type	24 volt, negative earth
Batteries	12V x 2, series connected
Alternator type	Built-in rectifier and voltage regulator
Capacity	24V – 60-A
Starter capacity	24V, 4.5kW



816

Cab equipment & Instrumentation

POWER & TORQUE CHART (ISO Net)



CHASSIS FRAME

Type Ladder-shaped channel section side rails
 Chassis width at rear 750mm
 Max. section
 (depth x flange x thickness) 192.8 x 65 x 5.9mm
 Tensile strength 540N/mm²
 Towing hooks. Equipped at front and rear
 Front bumper. Painted to cabin colour

CAB EXTERIOR

Type Forward control, all steel welded construction, torsion-bar tilt mechanism, fully trimmed
 Windscreen wipers. Electric, dual wipers, intermittent and 2-speed
 Outside rear mirrors Two, moveable flat type
 Radiator grille Painted same colour as cabin
 Lamps Halogen headlamps, cornering lamps, fog lamps

CAB INTERIOR

Steering Telescopic tilt column with integral power steering
 Windscreen glass Laminated glass
 Seating capacity Three
 Driver's seat 2-way adjustable, urethane foam pads, high-back seat
 Assistant's seat Fixed, urethane foam pads, high-back seat
 Seat cover Fabric cover
Seat belts
 Driver's seat 3-point type with ELR and pre-tensioner
 Assistant's seat 3-point type with ELR and pre-tensioner
 Centre passenger's seat. 2-point type
 Sun visors For driver and passenger
 Ventilator Forced type by electric blower
 Inside rear mirror One, flat type
 Cigarette lighter (24 volt) Equipped
 Audio AM/FM radio with CD player
 Heater and defroster Equipped
 Air conditioner Equipped
 Auto door lock Equipped
 Power windows Equipped
 SRS airbags Equipped for driver and assistant
 Seat back console Equipped (centre)
 Overhead consoles. For driver and assistant
 Cup holders Equipped

INSTRUMENTS

1. Meter and gauges

km-kg system
 Speedometer with odometer and 2 trip meters
 Fuel gauge
 Coolant temperature gauge
 Engine tachometer

2. Warning, pilot lamps and buzzers

Turning signal & hazard indicator lamp
 Exhaust brake indicator lamp
 Engine oil pressure warning lamp
 Battery charge warning lamp
 Beam indicator lamp
 Parking brake indicator lamp
 Engine malfunction indicator lamp
 Fuel level warning lamp
 Fuel filter water accumulating level warning lamp
 Brake fluid level warning lamp
 Back-up warning buzzer
 Cab-tilt warning lamp
 ABS system failure warning lamp
 SRS airbag system failure warning lamp
 Transmission fluid temp warning – in Auto
 Easy Start indicator lamp

3. Switches

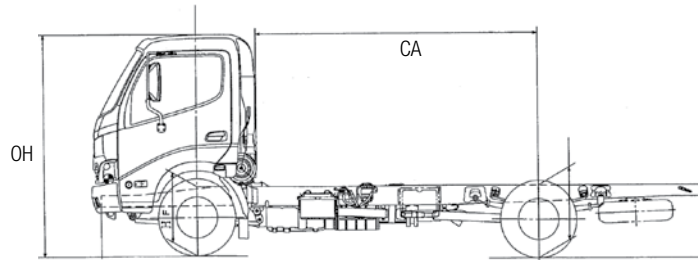
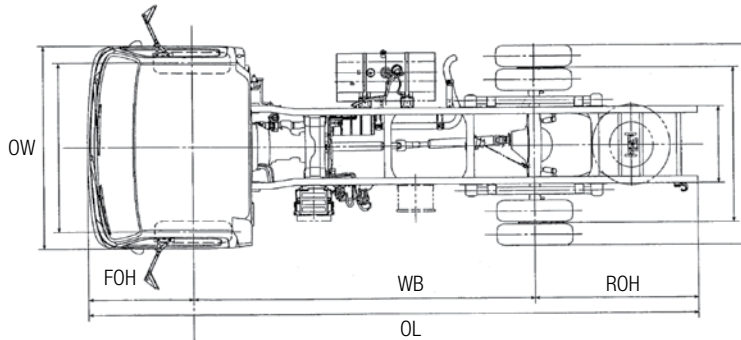
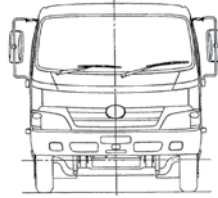
Lighting switch
 Directional indicator, dimmer, passing switch
 Room lamp switch
 Hazard lamp switch
 Wiper and washer switch
 Exhaust brake switch
 Easy Start switch (Medium & Long)
 Easy Start release timing adjuster switch (Medium & Long)

4. Others

One-key starting-stopping
 Horn button
 Remote keyless entry



816 Dimensions



DIMENSIONS - mm / Capacities

Product code	.XZU417R- HKTRDQ3	.XZU417R- HKFRDQ3	.XZU427R- HKFRDQ3
Model	Auto	Medium	Long
Wheelbase (WB)	3430	3430	3870
Overall length (OL)	6120	6120	6675
Overall width (OW)	1995	1995	1995
Overall height (OH)	2215	2215	2215
Cab to axle centre (CA)	2840	2840	3280
Front overhang (FOH)	1045	1045	1045
Rear overhang (ROH)	1645	1645	1760
Front chassis height	705	705	705
Rear chassis height	800	800	800
Road clearance	210	210	210
Turning circle - m (kerb-to-kerb)	11.4	11.4	12.6
Turning circle - m (wall-to-wall)	12.8	12.8	14.1
Fuel tank capacity – lt	100	100	100
Chassis mass – kg (minimal fuel, without spare tyre or tools)			
Total	2395	2360	2370
Front	1585	1560	1565
Rear	810	800	805
GVM	7300	7500	7500
GCM	7300	11,000	11,000

DEALERSHIP

WARRANTIES

New vehicle warranty period

Light Duty Model	Axle configuration	Standard warranty (whichever comes first)	Cab corrosion perforation
300 816	4 x 2	3 years or 100,00km	36 months

Battery warranty is 12 months from date of delivery.

DISCLAIMER

Important notice. Hino Trucks are distributed in Australia by Hino Motor Sales Australia Pty Ltd A.C.N. 064 989 724. Information contained in this brochure was correct at time of printing. Hino Motor Sales Australia Pty Ltd reserves the right to alter any details of the specifications and equipment without notice. Hino in so far as it is permitted by law to do so, shall not be liable in any way as a result of any reliance placed by any person on anything contained in this brochure. You should therefore check with your authorised Hino dealer at the time of ordering your motor vehicle to ensure that colour, specifications, equipment, design features and options are available for the vehicle you are ordering. Please note that some options may only be available in combination with others. Authorised Hino dealers will on request provide up to date information on all accessories, design features, prices and availability.

Date of issue 14/02/08 816 V-3