

# MK5

## Leaf Suspension

**GVM 10,400kg\* GCM 14,900kg**

## Specifications



Note: Illustration shows MK6 model

### ENGINE

**Model:** J05D-TG - a vander engine manufactured for Nissan Diesel  
4 cylinder, 4 valves per cylinder, 4 cycle, direct injection, water cooled, in-line diesel engine, Variable nozzle turbocharger with intercooler

**Number of cylinders:** 4 cylinders  
**Bore x stroke:** 112mm x 120mm  
**Total piston displacement:** 4,728 cc  
**Max. output (ISO Net):** 129 kw (175 PS) at 2,550 rpm  
**Max. torque (ISO Net):** 500 N.m (51 kgm) at 1,600 rpm  
**Max. governed speed:** 2,600 rpm  
**Compression ratio:** 18:1  
**Auxiliary brake:** Pneumatically operated Exhaust Brake

#### Lubrication System:

Forced feed by gear pump, Flat tube type oil cooler, Full flow and by-pass oil filter with replaceable element, 8 litre capacity

#### Air compressor:

Water cooled reciprocating type, single cylinder with dryer and oil mist separator

#### Cooling System:

Forced feed by centrifugal water pump, wax pellet type thermostats incorporated with a by-pass, aluminium corrugate fin type radiator with reserve tank and viscous coupling driven 525mm 10 blade cooling fan.

### FUEL AND INTAKE SYSTEM

High pressure electronically controlled common rail fuel injection system  
Replaceable primary and secondary fuel filters  
200lt capacity steel fuel tank with lockable cap (LHS)  
Dry paper element air cleaner  
High mounted RHS air intake snorkel

### EXHAUST AND EMISSION CONTROL SYSTEM

Emission standard - ADR 80/02  
Electronic controlled, selective, cooled EGR  
Under chassis mounted RHS muffler / catalytic converter with horizontal rear facing exhaust discharge under truck

### ELECTRICAL

24 volt, negative ground system  
2 x 12 volt 120 Ah batteries mounted on LHS frame  
24 volt - 60 amp. with built-in IC regulator

### CLUTCH

Dry single plate, organic, hydraulically operated clutch release mechanism with air servo assistance

**Diameter of clutch disc:** 350 mm

### TRANSMISSION

**Make and model:** Nissan Diesel MKS61B  
Six forward speeds and one reverse, synchro mesh 2nd to 6th gears. Non-synchro 1st and reverse. Mechanical remote control operated shift with air servo assist

Gear ratios:	Gear	Ratio	Gear	Ratio
	1st	6.57	4th	1.39
	2nd	3.83	5th	1.00
	3rd	2.27	6th	0.73
			Rev	6.574

**Transmission PTO opening:** LHS  
**PTO drive gear rating:** 91Nm @ 100% engine speed (nominal ratio)

### BRAKES

Air Over Hydraulic (AOH) dual line, internal expanding, leading and trailing shoe type system with 4 channel BOSCH ABS and Easy Hill start (EHS)

**Air pressure:** 7.2 - 8.5 kg/cm<sup>2</sup>

	Front	Rear	Total
<b>Drum diameter:</b>	320 mm	320 mm	
<b>Lining area:</b>	1360 cm <sup>2</sup>	1672 cm <sup>2</sup>	3032 cm <sup>2</sup>

Hand operated pneumatically controlled spring park brake acting on drive axle.

### STEERING

Recirculating ball screw type steering box with hydraulic power assist  
Adjustable tilt and telescopic type column with steering lock and 460mm wheel

**Variable steering gear ratio:** Between 18.8 : 1 and 16.1 : 1

### WHEELS AND TYRES

Number and size of tyre:	Front - single	235/75R 17.5 132/130M
	Rear - dual	235/75R 17.5 132/130M
	Except D wheel base - (225/90R 17.5 tyres only)	

See Options for alternative tyre size (G & L wheelbase)

Pressed steel disc wheel, 1 piece rim, 6.75 x 17.5 131 offset-10TCS, 6 stud  
Except D wheelbase - (6.00 x 17.5 - 135m offset 10TCS 6 stud)

One spare wheel and tyre mounted on carrier (STC) at the rear of chassis

### AXLES

#### FRONT

#### NISSAN DIESEL FA35

Drop forged steel "I" section beam, reverse "ELLIOT" type  
**Front axle capacity:** 3,700 kg \*Refer to Load Rating summary for max permissible load

#### REAR

#### NISSAN DIESEL FS55

Fully floating pressed steel banjo type housing, single drive type

**Final reduction gear:** Single reduction, hypoid gear

**Final reduction gear ratio:** 4.333 - (Except D wheel base)

4.555 - (D wheel base)

**Rear axle capacity:** 7,500 kg \*Refer to Load Rating summary for max permissible load

### SUSPENSION

#### FRONT

Taper leaf spring with anchor at front and shackle at rear

**Width x length:** 70 x 1,300 mm

**The number of leaves:** 3

**Spring constant:** 264N/mm (26.9 kg/mm)

**Shock absorbers:** Telescopic double acting

#### REAR

Semi-elliptic leaf spring and helper with anchor at front and shackle rear

**Width x length:** Main: 70 x 1300mm, Helper: 70 x 980mm

**The number of leaves:** Main: 7 Helper: 7

**Spring constant (Total):** 985 N/mm (100.4 kg/mm)

### LOAD CAPACITY SUMMARY

	235/75R 17.5 tyres		225/90R 17.5 tyres	
	Front(kg)	Rear(kg)	Front(kg)	Rear(kg)
<b>Axle capacity</b>	3700	7500	3700	7500
<b>Steering / Suspension Capacity</b>	3600	7500	3600	7500
<b>Tyre capacity</b>	3700	7500	3600	6800
<b>Max capacity (limit kg)*</b>	3600	7500	3600	6800

Note: Based on nominated tyres and standard springs

# MK5 Leaf Suspension

## CAB

Forward control, spring suspended day cab with shock absorbers  
Torsion bar cab tilt system  
Front opening inspection bonnet

### Standard Equipment

Overhead console with driver and passenger sunvisors  
24v Cigarette lighter / power supply with 2 ash trays  
Large On/Off/Door interior light  
Double arm, 2-spnd wipers with intermittent operation and windscreen washers  
LH and RH split mirrors (Flat / Spot)  
LH down spot mirror  
Electric horn, reverse warning light and alarm  
3 occupant seats - 2 outer seats with retractable seat belts and a flat folding centre seat with adjustable lap belt.  
Multi adjustable air suspended driver's seat  
Power operated driver and passenger windows  
Remote operated keyless central locking  
Multi speed air conditioning  
AM/FM radio with CD player  
Cruise control - Stalk mounted  
Halogen multi reflector headlamps  
Front bumper mounted (ADR49/00) integrated driving lights  
Roof mounted clearance lights (ADR49/00)  
2 centre dashmounted cup holders  
3 DIN sized compartments for accessory fitment

## FRAME

Ladder, Channel type chassis construction

**Width:** 860mm

**Height x width x thickness:** 234 x 70 x 7 mm

**Material:** Pressed carbon steel

Tensile	Yield	Modulus
45kg/mm <sup>2</sup>	30kg/mm <sup>2</sup>	Refer body manual

## INSTRUMENTS

Dash assembly design integrates an array of instruments, warning / informational lights and audible tones

## FACTORY OPTIONAL EQUIPMENT (Indent order only)

Paint colours  
Large centre console (Replaces centre seat)  
Air dam front bumper  
Electronic engine governor control  
Electronic transmission PTO control  
High torque transmission PTO - output 300Nm @ 92% of engine speed  
Rear double acting telescopic shock absorbers  
225/90R 17.5 tyres - (6.00 x 17.5-135mm offset 10TCS 6stud)  
- with 4.555 diff ratio  
Rear Engine PTO (343Nm @ 72% engine speed continuous operation) - Dealer fit Option  
ADR65/00 100km/h speed limiter - Dealer fit Option

## PERFORMANCE (Calculated)

**Max. speed:**

**Gradeability 1st gear (Calculated):**

**Gradeability 6th gear (Calculated):**

**Est. RPM @ 100km/h:**

**4.333 with 235/75R 17.5** - G & L wheelbase only

N/A

32.8% @ 10,400kg

2.8% @ 10,400kg

2204rpm

**4.555 with 225/90R 17.5** - D, G & L wheelbase

N/A

35.5% @ 10,400kg

3.1% @ 10,400kg

2383rpm

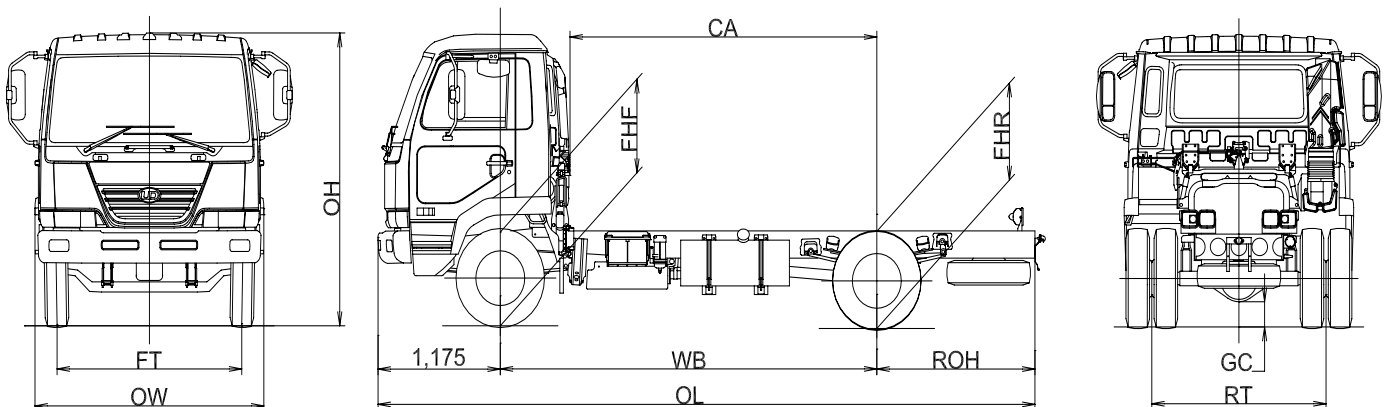
## GENERAL SPECIFICATIONS (approx.)

Wheel Base	Weight (kg)				
	GVM*	GCM	FA <sup>1</sup>	RA <sup>1</sup>	Total Tare <sup>1</sup>
<b>D</b>	10400	14900	1980	1105	3085
<b>G</b>	10400	14900	2060	1185	3245
<b>L</b>	10400	14900	2100	1215	3315

Dimensions (mm)											
WB	OL	OW	OH	FT	RT	ROH	CA	GC	FHF	FHR	Turn Radius Kerb to Kerb
3620	6415	2200	2511 <sup>2</sup>	1772	1675	1520	2950	208 <sup>2</sup>	766 <sup>2</sup>	873 <sup>2</sup>	5750
4380	7535	2200	2488 <sup>3</sup>	1780	1675	1880	3710	185 <sup>3</sup>	743 <sup>3</sup>	850 <sup>3</sup>	6960
5000	8525	2200	2488 <sup>3</sup>	1780	1675	2250	4330	185 <sup>3</sup>	743 <sup>3</sup>	850 <sup>3</sup>	7950

<sup>1</sup>Weight estimated including fluids (not fuel) and STC and spare wheel, excludes tools and driver. <sup>2</sup>D wheelbase based on standard 225/90R 17.5 tyres

<sup>3</sup>Based on vehicle with standard 235/75R 17.5 front and rear tyres. Add 23mm for 225/90R 17.5 tyres.



Imported and distributed by UD Trucks Australia Pty Ltd(A.C.N 085 417 376) Photos for illustration purposes.  
As part of continual product improvement the within specification are subject to change without notice. UDTA in as far as it is permitted by law to do so shall not be liable in any way as a result of any reliance placed by any persons or anything contained in this document. Please consult with UD Trucks dealer for the latest information about vehicle specifications.

\*Rated GVM and axle capacities are subject to federal, state and Territory legal requirements.

