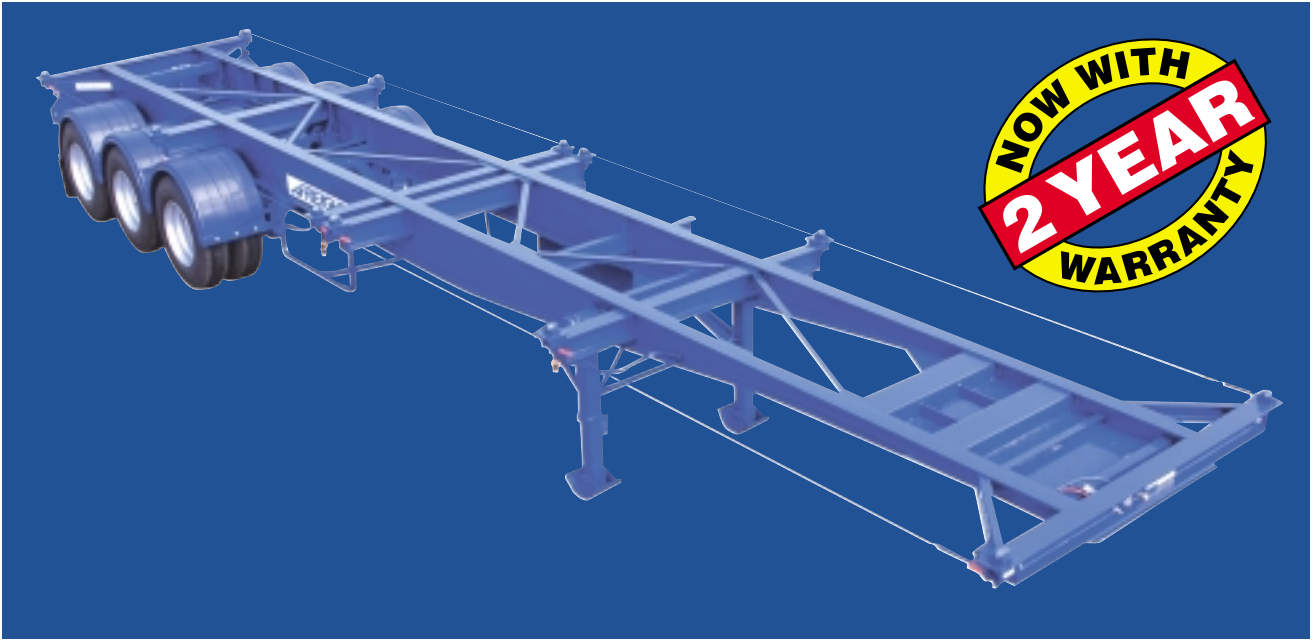


FREIGHTER



Skeletal Trailer

12.2m-TL6

The Freighter Advantages

For more than 50 years, Freighter has been Australia's foremost brand of road transport trailer, providing its customers with leading edge logistics solutions.

Freighter's 12.2m TL6 Skeletal trailer model, available either in single trailer or lead and tag B-Double configurations, provides transport operators with an outstandingly durable, lightweight Skel capable of carrying 1x20', 2x20' or 1x40' cargo containers.

Featuring enhanced stability and safety through its wide spaced main beams and wide track axles, with low profile frames that deliver a lower centre of gravity, the 12.2m TL6 Skel can also be configured with a range of options including folding pedestals (on dropdeck) and retractable rear ends for carrying 45' and 48' containers.



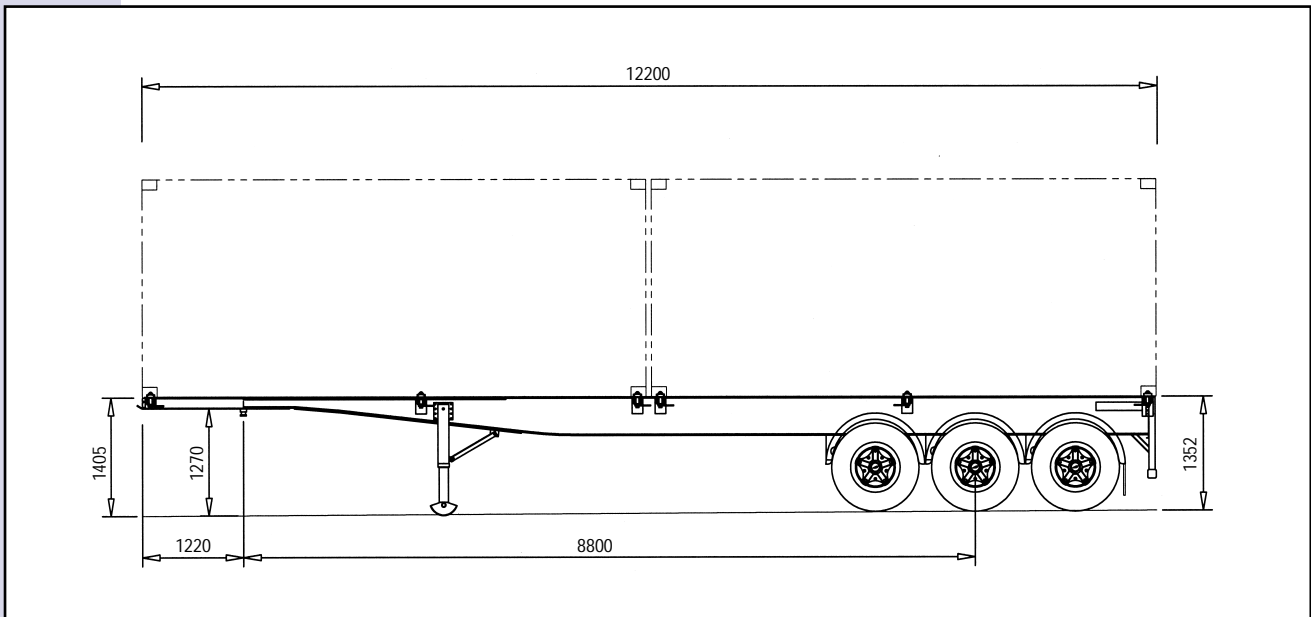
Features fitted as standard include the unique MaxiTRAAX drum brake air suspension, which reduces tare weight by 233kg (compared to prior model) and multi-volt LED lights for simple prime mover changes.

The Freighter 12.2m TL6 Skel now comes with the new, extended, two year warranty on all components manufactured by MaxiTRANS.

The Freighter Options to suit your needs

- Drop Deck Configuration
- Disc Brakes
- Alloy Wheels
- Ultra Low Height
- Retractable rear end
- Hub odometer or window hubcap
- Folding Pedestals (on dropdeck)
- Toolbox (s)
- Water Tank(s)
- Other options available on request





Skeletal Trailer 12.2m – TL6 Specifications (Nominal)



Retractable rear end (Option)

An air-operated extendable bumper bar allows the Skel to carry 45' and 48' containers.



Folding container pedestal (Option)

Optional on dropdeck Skels – overcomes the need to manhandle heavy pedestals.

Dimensions

Length	12200mm (40ft)
Twistlock Height	1405mm
Skidplate Height	1270mm
Kingpin Location	1220mm from front
Suspension Location	8800mm from kingpin

Frame

Bumper	Square
Skidplate	8mm with 50mm bolt-in kingpin
Base Frame	1040mm mainrail centres. 12mm top and bottom flanges.

Safety Cables	PVC covered – both sides
Containers	1 x 20' – 2 x 20' – 1 x 40'

Mudguards

Radius guards	Sprayguard flaps at rear of suspension
---------------	--

Brakes

	420 x 178mm (16.5" x 7") S' Cam to A.D.R. 38. HXS Linings. PBR male and female couplings at front.
--	---

Underbody

Tyre Carrier	1 Standard. 2 Wheel.
--------------	----------------------

Electrical

Voltage	Multi-volt to A.D.R. 13
Lamps	Hella LED Multi-volt

Landing Gear

Rocker Foot	2 speed Holland
-------------	-----------------

Paint

1 Colour 2K	Unit and hubs
-------------	---------------

Suspension

	MaxiTRAAX tri-axle air bag
--	----------------------------

Axles

	MaxiTRAAX integral with suspension. 5-spoke spider, dual rim, grease lubricated hubs.
--	---

Legendary Freighter finish, long-term performance & support

- Detailed, uncompromising pre-delivery inspections
- National warranty, parts and service network
- Computer designed chassis delivers optimum strength and durability
- All steel components designed and manufactured in-house
- Use of highest quality components and genuine plan of continuous improvement
- Custom manufacturing also delivers special customised configurations for individual requirements – just ask your local Freighter dealer



Check out the demo models and deals at these Freighter Dealers. www.maxitrans.com.au

MaxiTRANS Aust Pty Ltd

Victoria (03) 8368 1111

Mildura Truck Centre

Sunraysia (03) 5021 2122

SX Trailers

NSW (02) 9755 3333

CMV Trailer Sales

SA (08) 8268 4422

New Zealand

Auckland (09) 267 5714

Freighter Maxi-CUBE QLD

Qld (07) 3277 5511

Roadwest Transport

WA (08) 9272 4111