

# FREIGHTER



## Ultra-Lo Skel

### The Freighter Advantages

For more than 50 years, Freighter has been Australia's foremost brand of road transport trailer, providing its customers with leading edge logistics solutions.

Freighter's all new Ultra-Lo Skel provides transport operators with a high strength Skel that leads its class by safely, efficiently and legally carrying containers up to 3.2m (10'6") high\*.

This outstanding capability is created by applying the latest CAD facilities to create a low tare, yet high strength, skidplate structure with a thickness of only 68mm. The design utilises 350 grade high tensile steel plate with a series of vertical ribs to provide high bending strength without excess tare weight.

With three way pins, the Skel will carry 1x20', 2x20', 1x40', containers. The Ultra-Lo can also carry 45' and 48' containers, thanks to an optional air-operated extendable rear bumper bar available at extra cost. Design efficiency is also enhanced by the Intraax Low-Ride air suspension and integral spare wheel mounts midway through the main rail webs.



Hitching is made simpler through the use of a swing-away connection module that incorporates air fittings as well as electrical connections.

With LED lights all round, the Freighter Ultra-Lo can operate on both 12 and 24 volts. Simplicity of operation in mixed fleets is enhanced by the standard fitting of both light and heavy duty electrical connectors.

The Freighter Ultra-Lo now comes with the new, extended, two year warranty on all components manufactured by MaxiTRANS.

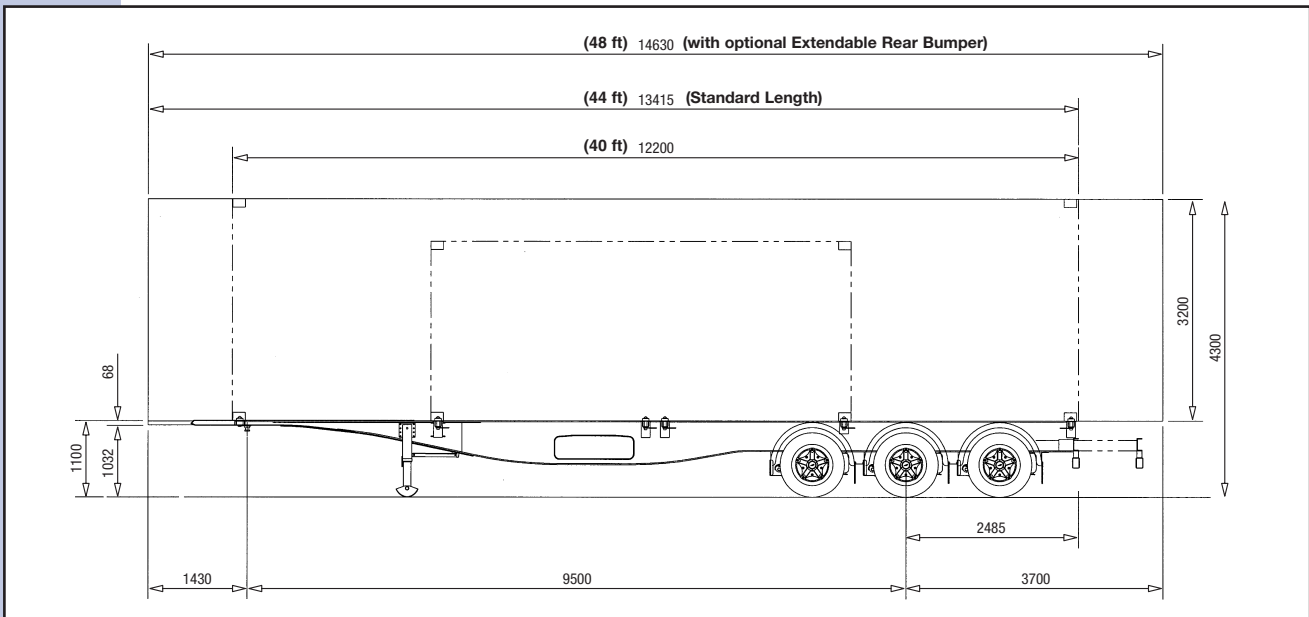
### The Freighter Options to suit your needs

- 10 stud hubs
- Disc brakes
- Alloy Wheels
- TL2, TL4 configurations available in Ultra-Lo height
- Tool box
- Hubodometer

\* with truck turntable height of 1025mm.



**MaxiTRANS**



## Skeletal Trailer - 13.4m TL6 Ultra-Lo Unit Specifications (Nominal)



**Simplified Hitching**  
Swing-away connection module with air and electrical connections.



**Extendable Rear Bumper (Option)**  
An air-operated extendable bumper bar allows the Skel to carry 45' and 48' containers (at extra cost).

### Dimensions

Length (nominal)	13415mm
Twistlock height	1100mm
Skidplate	1032mm
Kingpin Location	1430mm from front
Suspension Location	9500mm from kingpin

### Frame

Bumper	Square. Extendable Bumper to suit 45' or 48' containers
Skidplate	10mm with 50mm bolt-in kingpin
Base Frame	1040mm mainrail centres, 16mm top and bottom flanges.
Safety Cables	PVC Covered – both sides
Container pins.	1 X 20 – 2 X 20 – 1 X 40

### Mudguards

Radius guards – plastic with sprayguard flaps at rear of suspension.

### Brakes

420 x 178mm (16.5" x 7") S' Cam to A.D.R. 38  
Couplings - PBR male and female at front.

### Underbody

Tyre Carrier Integral. 2 Wheel  
Sturdily constructed and securable dual tyre carrier.

### Tare Weight

5440kg (nominal – subject to suspension specification).

### Electrical

Voltage	Multi-volt
Lamps	LED to ADR 13
Couplings	Standard and heavy duty 7 pin.

### Landing Gear

Rocker Foot 2 speed wind down legs  
Has self-levelling function, with self lubricating bearings and a sealed non-lubricating gear box. Rocker feet to suit air suspension.

### Paint

1 Colour 2K – Unit and hubs.

### Suspension

Hendrickson Intraax.

### Axles

Intraax integral with suspension.  
Hubs: 5 spoke Spider – dual rim.  
Grease lubricated

### Legendary Freighter finish, long-term performance & support

- Detailed, uncompromising pre-delivery inspections
- National warranty, parts and service network
- Computer designed chassis delivers optimum strength and durability
- All steel components designed and manufactured in-house
- Use of highest quality components and genuine plan of continuous improvement



Check out the latest models and deals at these Freighter Dealers. [www.maxitrans.com.au](http://www.maxitrans.com.au)

#### MaxiTRANS Aust Pty Ltd

Victoria (03) 8368 1111

#### Mildura Truck Centre

Sunraysia (03) 5021 2122

#### SX Trailers

NSW (02) 9755 3333

#### CMV Trailer Sales

SA (08) 8268 4422

#### New Zealand

Auckland (09) 267 5714

#### Freighter Maxi-CUBE QLD

Qld (07) 3277 5511

#### Roadwest Transport

WA (08) 9272 4111