

# CANTER 615 TIPPER

4X2 / LSD / MANUAL OR DUONIC DCT

GVM

**6,000KG**

GCM

**9,500KG**

Power/Torque

**110KW/370NM**

Light rigid licence required.

Can be derated and driven with a passenger car licence.



**5**  
YEAR WARRANTY

ONLY JAPANESE FACTORY TIPPER WITH A LIMITED SLIP DIFFERENTIAL.

fuso.com.au

**FUSO**

# SPECIFICATIONS

## MODEL

A	4x2 615 City Cab Tipper SWB 6 Sp. Duonic DCT (FEA61BR3SFAC)
B	4x2 615 City Cab Tipper SWB 5 Sp. MAN (FEA61BR4SFAC)

## WHEEL BASE

2500mm
2500mm

## GVM (optional)

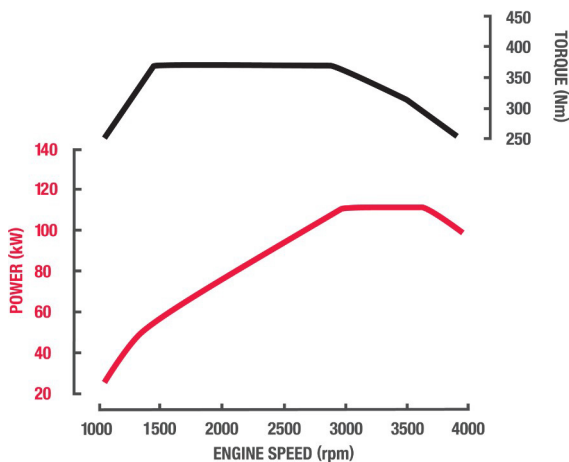
6,000kg (4,500kg)
6,000kg (4,500kg)

## GCM (optional)

9,500kg (8,000kg)
9,500kg (8,000kg)

### ENGINE

Engine Version	FUSO 4P10-T4 Diesel
Configuration	4 Cyl. In-line DOHC, 4-Valve
Type	Variable Geometry Turbo Charged Air to Air Intercooled
Displacement	3 litre (2998cc)
Bore	95.8mm
Stroke	104mm
Power (DIN)	110kW @ 2840~3500 rpm
Torque (DIN)	370Nm @ 1350~2840 rpm
Maximum Engine Speed	4100 rpm
Compression Ratio	17.5:1
Cooling System / Oil Cooler	Water cooled, 13.0L capacity/ Plate type engine oil cooler
Air Cleaner	Paper Element Type with Restrictor Indicator. Vertical Intake Mounted on Clean Air Side (RH)
Emission Control	Diesel Particulate Filter (DPF) Exhaust Dash Display DPF Status 0~9 (Empty~Full) Parked Regeneration possible from 7~9
Emission Level	ADR 80/03 & EEV rated (Enhanced Environmentally-Friendly Vehicle) Euro 5



### FUEL

Injection System	Bosch Common Rail Direct Injection Bosch Piezo Technology Injectors
Tank Type	Rectangular Steel Tank with Locking Cap
Fuel Capacity *	70 Litres
Filtration	Filter with Water Separator and Indicator Sensor
Notes	*Max Fill to approx 95% of Air Capacity

### COOLING

Fan Drive	Thermo modulated continuous control (Viscous)
Radiator	Corrugated Fin with Expansion Tank

### ELECTRICAL

Voltage	12V Negative Earth
Alternator Capacity	12V-110 amp
Starter Capacity	12V-2.0kW
Battery Capacity	2x12V, 70Ah/5hr
Battery Specification	115D31LX2
Headlamp Type	Halogen
Headlamp Capacity	2x55W/60W

### CLUTCH

Clutch Model	A	Fully Automated Dual Clutch (no clutch pedal)
	B	FUSO C4W30
Type	Dual Clutch (Wet Multi-plate)	Single Dry Plate, Direct Hydraulic Type

### TRANSMISSION

Version	A	FUSO Duonic M038S6	B	FUSO M038S5
Type/Speeds	6 Speed Dual Clutch with Auto and Manual Modes	5 Speed with In-Dash Gearshift Lever		
Features	Virtually Instant Gear Changes In-Dash Gear Lever with Park Brake Position ECO Mode to Minimise Fuel Usage	Synchromesh 2nd-5th		
Ratios	1st: 5.397 2nd: 3.788 3rd: 2.310 4th: 1.474 5th: 1.000 6th: 0.701 Rev. 5.397	1st: 5.494 2nd: 3.193 3rd: 1.689 4th: 1.000 5th: 0.723 Rev. 4.494		
PTO Opening	LH Side Direct Connection Pump	LH Side Direct Connection Pump		

### FRONT AXLE

Axle Version	FUSO F200T
Type	Reverse Elliot "I" Beam
Capacity *	2600kg
Notes	*See MAX LOADING for vehicle capacity.

### FRONT SUSPENSION

Type	Multi-Leaf with Double Acting Shock Absorbers
Size	1150x70mm Leaves

### REAR AXLE

Type	Full Floating Banjo Type with Positive Locking Limited Slip Differential (LSD).
Axle Version	FUSO R033T
Capacity*	4500kg
Ratio	5.285:1
Notes	*See MAX LOADING for vehicle capacity.

### REAR SUSPENSION

Type	Steel Suspension
Details	Semi-Elliptic Leaf with Double Acting Shock Absorbers
Size Main Leaves	1100x70mm
Size Helper Leaves	N/A

### MAX LOADING

Front	2500kg
Rear	4500kg
Total	6000kg

# SPECIFICATIONS

## MODEL

A	4x2 615 City Cab Tipper SWB 6 Sp. Duonic DCT (FEA61BR3SFAC)
B	4x2 615 City Cab Tipper SWB 5 Sp. MAN (FEA61BR4SFAC)

## WHEEL BASE

2500mm
2500mm

## GVM (optional)

6,000kg (4,500kg)
6,000kg (4,500kg)

## GCM (optional)

9,500kg (8,000kg)
9,500kg (8,000kg)

### OPTIONS

Options	H31: 4500/8000kg GVM/GCM Rating
---------	---------------------------------

### STEERING

Type	Integral Ball and Nut Type
Steering Column	Tilt/Telescopic Adjustable
Power Assist	Standard

### BRAKES

Type	Hydraulic Dual Circuit with Front and Rear Discs Twin Calliper Front and Rear
Size Front	235x40mm
Size Rear	235x40mm
Features	ABS plus EBD (Electronic Brake Distribution) Exhaust Brake Brake Priority System
Park Brake	Transmission Mounted

### WHEELS & TYRES

Wheel Type	7 x Single Piece Disc Rims (Including Spare)
Wheel Size	16.0x5.5K-115
Wheel Stud Pattern	5 Stud 208 PCD
Tyre Size Front	205/85R16 117/115
Tyre Size Rear	205/85R16 117/115
	LUG Tyres Fitted (for Extra Traction)
Spare Tyre Carrier	Provided

### CHASSIS

Type	Tapered Frame with Box Reinforcement
Size	190x60x5mm
Tensile Strength	440 MPa

### INSTRUMENTS

Gauges	Speedometer with Odometer Tachometer Fuel Level Water Temperature
Colour Information Display	Fuel Consumption DPF Bar Chart from 1~9 Water Temperature Maintenance Reminder System Tripmeters

### MULTI-MEDIA PACKAGE

Satellite Navigation	Maps with heavy vehicle weight, length, height & hazardous material selectable restrictions with 3 years of Map updates
Colour Display	6.1 inch LCD with touch screen control
Phone Connectivity	Bluetooth® hands free
Audio Visual Entertainment	CD/DVD player and Digital radio DAB+ (also AM/FM for areas not covered by DAB+) USB port for iPod®* & other devices
Reversing Camera Compatible	Display can accept up to 3 cameras#
Notes	* iPod® compatibility requires an additional licensed cable # Cameras available through spare parts

### STANDARD FEATURES

Airbag(s)	Dual Air Bags and Seat Belt Pre-Tensioners (Driver & Far Side Passenger)	
	A	B
Cruise Control	Yes	No
Hill Start System	Yes	
Cab Cooling & Heating	Air Conditioner / Heater / Demister	
Accessory Power	12V Accessory Power Outlet / Cigar Lighter	
Driving	Fuso Multimedia Unit Keyless Central Locking Electric Windows Cup Holders (2)	
Storage	Dual Overhead Storage Pockets In-Dash Centre Document Storage Door Storage Pockets Dash Storage Tray (1 DIN) Coat Hooks	
Cab: External	Front End-Outline Marker Lamps Door Side Impact Beams	
Chassis	Reverse Warning Buzzer Factory Reverse Camera with Infrared Display and Audible Pickup (Supply only in Cabin with Cab Chassis)	

### CAB FEATURES

Type	All Steel Forward Control Manual Tilt
Cab Structure	N/A
Mounting	Hydroelastic 4 Point
Additional Engine Access	N/A
Colour	Natural White
Windscreen Wipers	2 Speed + Intermittent Cycle with Integrated Washer Nozzles
Rear Vision Mirrors	1 x Internal 2 x External Convex (ECE 46) - Heated
Seating Capacity	3
Seat Belts	Lap Sash Belts for Outside Seating Positions Lap Belt for Centre Seat
Seat (driver)	Fixed Reclining LH Arm Rest & Lumbar Support
Seats (passenger)	Flat Folding, 2 Passenger Bench

### SERVICE INTERVALS

Interval*	30,000km, 12 Months or 600 Hours (whichever occurs first)
Notes	* based on normal operating conditions and may be reduced when operating under severe conditions.

### WARRANTY

Basic/Powertrain	5 Years, 200,000kms or 4,000 operating hours (whichever occurs first)
------------------	---

### PERFORMANCE

	A	B
Turning Circle (kerb to kerb - metres)	9.4	9.4
Road Speed (km/h) at Max Engine Speed	136	134
Engine Speed (rpm) at 100km/hr (top gear)	2661	2531
Gradeability at Rated GVM (theoretical)*	44%	45%
Notes	*This is theoretical performance only. Actual performance may vary under different conditions	

# SPECIFICATIONS

## MODEL

- A** 4x2 615 City Cab Tipper SWB 6 Sp. Duonic DCT (FEA61BR3SFAC)  
**B** 4x2 615 City Cab Tipper SWB 5 Sp. MAN (FEA61BR4SFAC)

## WHEEL BASE

- 2500mm  
 2500mm

## GVM (optional)

- 6,000kg (4,500kg)  
 6,000kg (4,500kg)

## GCM (optional)

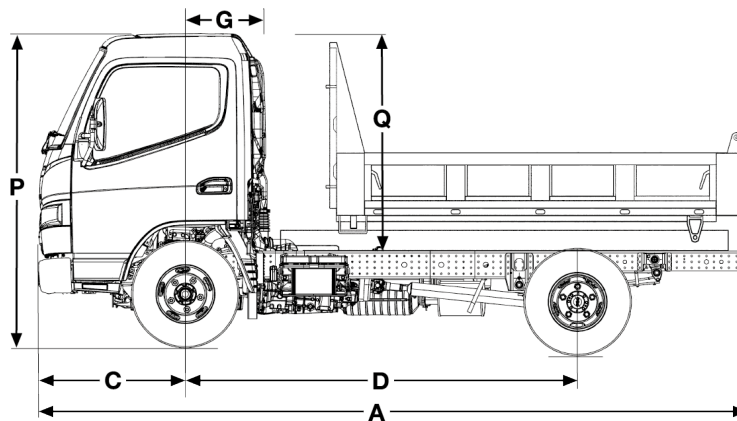
- 9,500kg (8,000kg)  
 9,500kg (8,000kg)

### MASS (ESTIMATED)\*

	A	B
Front*	1540kg	1535kg
Rear*	1055kg	1040kg
Total*	2595kg	2575kg
Notes	* Mass (est.) includes oil and water but excludes spare wheel, tools & fuel. Weights provided are subject to 3.5% variation (+/-)	

### DIMENSIONS (MM)

Width Front Fender (mm)	1695
Width Rear Axle (mm)	1685
Width Frame (mm)	701
A - Length Overall (mm)	4690
C - Front Overhang (mm)	990
D - Wheelbase (mm)	2500
G - Front Axle to Rear of Cab (mm)	525
P - Height Cab to Ground (mm)	2175
Q - Height Cab to Frame (mm)	1471
Tipper Body Width Outside	1870
Tipper Body Width Inside	1780
Tipper Body Length Inside	3050
Tipper Capacity (cubic metres)	2.0



# CALL 1300 429 134

or visit [fuso.com.au](http://fuso.com.au)

# FUSO

Unless specified in writing herein the accessories, applications, bodies or equipment depicted in this document are for illustration purposes only and may not be available from Daimler Truck and Bus Australia Pacific Pty Ltd. (ABN 86 618 413 282) (DTB). No representation or warranty whatsoever is given in relation to any accessories, applications, bodies or equipment or suitability of same that are shown herein that may be manufactured, supplied or fitted by a party other than DTB. DTB reserves the right without notice or obligation to discontinue or make changes to the colour, designs, materials and specifications of the products and options referred to herein at any time. For the most current information and in order to ascertain which accessories, applications, bodies and equipment are available from DTB please contact your authorised FUSO Truck and Bus dealer. Fuso is a registered trademark of Daimler Truck and Bus Australia Pacific Pty Ltd. Copyright DTB. Reproduction in whole or part prohibited without written approval. Part Number TSC132-SSV2. Valid from 24-July-18.