

HINO 3000 Series

616 Auto 616 Hybrid 617 Manual



* Illustration may contain items not standard to the model

**ADR 80/03 Model
Wide Cab 4 x 2 Cab Chassis**

KEY FEATURES

- Diesel/Electric Hybrid Options
- Manual Transmission Options
- Fully Automatic Transmission Options
- Cruise Control
- Dual SRS Airbags
- Ventilated Disc Brakes Front & Rear
- Anti-lock Brake System (ABS)
- Vehicle Stability Control (VSC)
- Reverse Camera
- Traction Control (TRC)
- ADR 80/03 Emission using Euro 5
- Also meets EEV emission levels
- Drivers suspension seat
- ECE R-29 Cab Strength Certified

KEY SPECIFICATIONS

- GVM.** 4,495kg, optional 5,500kg
- GCM.** 7,300kg to 9,000kg
- Power** 110kW (150 hp) (Auto & Hybrid)
. 121kW (165 hp) . . . (Manual)
- Torque.** 420Nm (Auto & Hybrid)
. 464Nm (Manual)
- Wheelbases** 2,810mm, 3,430mm, 3,870mm
- Nominal Body Length** 3,850mm, 4,840mm, 5,550mm



616 Auto 616 Hybrid 617 Manual

Engine & Driveline specifications

DIESEL ENGINE

Engine transmission combination	616 Auto	616 Hybrid	617 Manual
Engine model	N04C US	N04C UR	N04C UT
Max output (ISO Net) @ 2,500 RPM	110kW/150 hp		121kW/165 hp
Max torque (ISO Net) @ 1,400 RPM	420Nm		464Nm
Maximum engine speed	3,100 RPM		
Type	Diesel, four-cylinder, OHV, fluid cooled		
Combustion system	Direct injection type		
Bore & stroke	104 x 118mm		
Piston displacement	4.009 litres		
Fuel injection system	Electronic control, common rail type		
Air intake system	Turbo-intercooled, stack-type air intake		
Air cleaner	Paper element		
Fan clutch	Equipped		
Exhaust system	Catalytic Converter with Diesel Particulate Active Reduction System (DPR)		
Exhaust outlet	Horizontal		
Emission control system	EGR & DPR meeting ADR 80/03 using Euro 5 Also meets EEV emission levels		

HYBRID DRIVE SYSTEM

Motor type	AC Synchronous motor
Rated voltage	300V
Max output	36kW
Max torque	333Nm
Idle stop	Equipped
Battery type	Nickel-metal hydride
Battery capacity	288V/6.5Ah

CLUTCH

	Hybrid	Manual
Clutch type	Dry single plate, diaphragm type with damper springs	
Facing outside diameter	300mm	325mm
Facing lining area	423cm ² x 2	483cm ² x 2
Control	Electronic with transmission	Hydraulic with vacuum booster

TRANSMISSION

	616 Auto	616 Hybrid	617 Manual
Model	A860E	M550 ProShift 5	MZZ6F
Description	Full Automatic	Automated Manual	Manual
Number of forward gears	6	5	6
Type	Double Overdrive	Single Overdrive	Single Overdrive

BRAKES

Service brakes	Hydraulic system with ventilated disc brakes front and rear
Control	Vacuum servo with hydraulic assist & dual circuits
Front disc diameter	296mm
Rear disc diameter	281mm
Anti-lock system (ABS)	Equipped
Vehicle Stability Control (VSC)	Equipped
Traction Control (TRC)	Equipped
Easy Start system (ES)	Equipped (except auto)
Exhaust brake	Electric-vacuum actuator with valve in exhaust pipe
Park brake	Drum on the rear of transmission

PERFORMANCE & GEAR RATIOS

Models	616 Auto	616 Hybrid	617 Manual	
Engine RPM @ 100km/h	2,170	2,240	2,380	
Maximum speed (km/h)	143	138	130	
Gradeability tan θ % @ GVM	60	44	60	
Final drive ratio	4.625:1	4.100:1	4.100:1	
Transmission Gear Ratios	1st	3.743	4.981	6.369
	2nd	2.003	2.911	3.767
	3rd	1.343	1.556	1.966
	4th	1.000	1.000	1.355
	5th	0.773	0.738	1.000
	6th	0.634		0.782
	Rev	3.697	4.625	6.369
Torque convertor ratio	1.95:1	N/A	N/A	

AXLE, SUSPENSION & LOAD LIMITS

	Front Axle Model & Type	Reverse Elliot I-Beam	
FRONT	Suspension	Tapered leaf springs with shock absorbers & stabiliser	
	Spring Dimensions	1,250 x 70mm	
	Number of Leafs	3	
	Spring Rate	13.3kgf/mm	
	Axle Limit (including suspension)	2,600kg	
	Tyre Limit	2,360kg	
	REAR	Rear Axle Model & Type	SH12, fully floating, single reduction, single speed by Hypoid gears
Suspension		Main & Aux Tapered leaf with shock absorber & stabiliser	
Spring		Main	Auxiliary
Dimensions		1,300 x 70mm	900 x 70mm
Spring Rates		19kgf/mm	41kgf/mm
Number of Leafs		2	2
Axle Limit (including suspension)		4,400kg	
Tyre Limit		4,400kg	

WHEEL & TYRES

Wheel type	5-stud disc wheel
Wheel & rim size	195/85R16 114/112 & 16x5.5K-113mm
Number of tyres	Seven including spare
Spare tyre carrier	Equipped

ELECTRICAL (CAB & CHASSIS)

Type	24 volt, negative earth
Batteries	12V x 2, series connected
Charging (80 amp)	Alternator with built in rectifier (Auto & Manual) Supplied by Hybrid System (Hybrid)
Starter	24V, 4.5kW starter motor (Auto & Manual) Supplied by Hybrid System (Hybrid)



616 Auto
616 Hybrid
617 Manual

Cab equipment & Instrumentation

CHASSIS FRAME

Wheelbase	Short	Medium	Long
Type	Ladder-shaped channel section side rails		
Chassis width at rear	750mm		
Main section in mm (depth x flange x thickness)	190.8 x 65 x 4.9mm		192.8 x 65 x 5.9mm
Tensile strength	540N/mm ²		
Tow hook (front & rear)	Equipped		
Front bumper	Painted in cab colour		

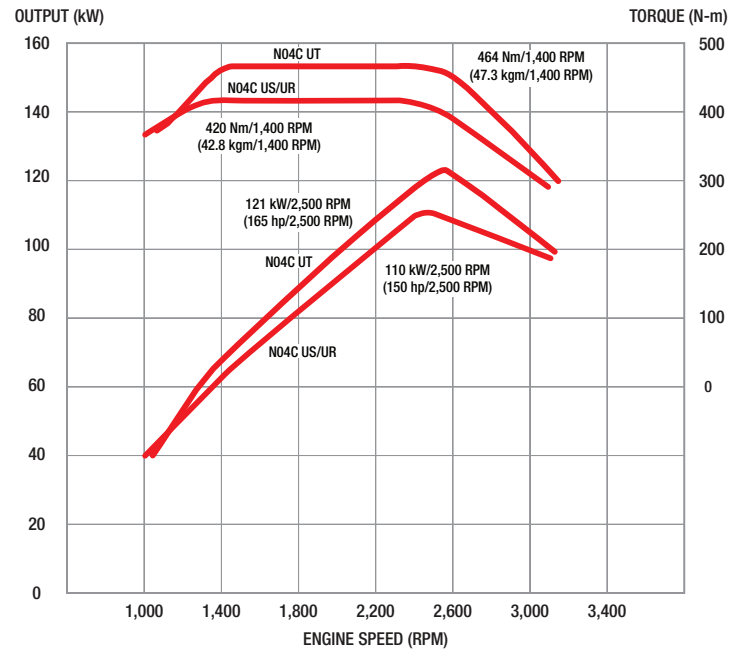
CAB EXTERIOR

Type	Forward control, all steel welded construction, torsion-bar tilt mechanism, fully trimmed
Windscreen wipers	Electric, dual wipers, intermittent and 2-speed
Outside rear mirrors	Remote control & heated, & two convex spotters
Radiator grille	Painted same colour as cabin
Headlamp	HID with washer & fog lamp (Hybrid) Halogen & fog lamp (Auto & Manual)

CAB INTERIOR

Steering	Telescopic tilt column with integral power steering	
Windscreen glass	Laminated glass	
Seating capacity	Three	
Driver's seat	4-way adjustable, urethane foam pads, high-back, lumbar support with suspension base	
Assistant's seat	Fixed bench, urethane foam pads, high-back seat	
Seat cover	Fabric cover	
Seat belts	Driver's seat	3-point type with ELR and pre-tensioner
	Assistant's seat	3-point type with ELR and pre-tensioner
	Centre passenger's seat	2-point type
Sun visors	For driver and passenger	
Ventilator	Forced type by electric blower	
Inside rear mirror	One, flat type	
Cigarette lighter (24 volt)	Equipped	
Multimedia System	6.5" LCD, HD touch screen display with DAB+ AM/FM radio, AUX input, Bluetooth® 4.1, Android 6.0, CANBUS connected and Wi-Fi enabled	
Heater and defroster	Equipped	
Air conditioner	Equipped	
Remote door locking	Equipped	
Immobiliser	Equipped	
Power windows	Equipped	
SRS airbag	Equipped for driver and left side passenger	
Drivers foot rest	Equipped (Auto models only)	
Seat back console	Equipped (centre)	
Overhead consoles	For driver and assistant	
Cup holder	Equipped	
Cruise control	Equipped	

POWER & TORQUE CHART (ISO NET) N04C US/UR & UT



INSTRUMENTS

Meters and gauges	Switches
km-kg system	Lighting
Engine tachometer	Wiper and washer
Hybrid battery status (hybrid only)	Exhaust brake
Warning, pilot lamps and buzzers	Easy Start (except auto)
Turning signal & hazard indicator lamp	Easy Start timing adjuster (except auto)
Exhaust brake indicator lamp	Cruise Control
Engine oil pressure warning lamp	Traction Control OFF
Battery charge warning lamp	Multi Information Display
High beam indicator lamp	Fuel gauge
Parking brake indicator lamp	Coolant temperature gauge
Engine malfunction indicator lamp	DPR accumulation gauge
Fuel level warning lamp	Odometer
Fuel filter water accumulating level warning lamp	2 trip meters
Brake fluid level warning lamp	Fuel consumption
Back-up warning buzzer	- Current
Cab-tilt warning lamp	- Average
ABS system failure warning lamp	Others
SRS airbag system failure warning lamp	Horn button
Easy Start indicator lamp (except auto)	Remote door locking
Cruise Control	
Hybrid system lamp (hybrid only)	
AMT system lamp (hybrid only)	

STEERING

Type	Telescopic and tilt steering column with locking device. Recirculating ball with integral power steering.	
Steering angle	Inside: 51°	Outside: 36°

GENUINE ACCESSORY OPTIONS

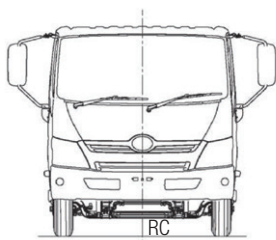
Bull bar	LED driving lights
Chrome wheel covers	Stoneguard
Truck specific GPS nav with Live Traffic	Sunvisor
Additional cameras (Up to 3 extra)	Hino Traq telematics

Please check with your dealer for price, availability & fitment for these options

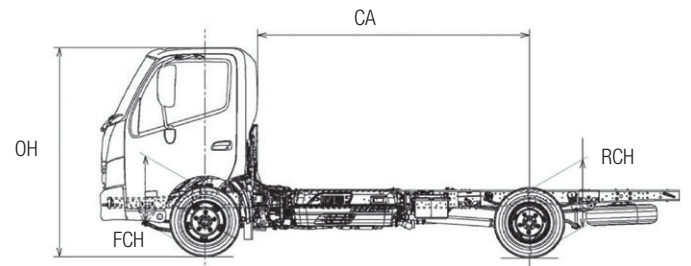
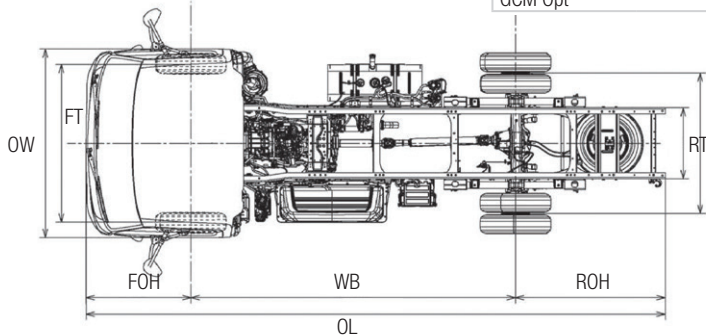
616 Auto 616 Hybrid 617 Manual Dimensions

300 Series

DIMENSIONS – MM / CAPACITIES



Models 300	616 Auto			616 Hybrid		617 Manual		
	Short	Medium	Long	Medium	Long	Short	Medium	Long
Model Code	XZU700R-HKTMSQ3	XZU710R-HKTMSQ3	XZU720R-HKTMSQ3	XKU710R-HKUMSQ3	XKU720R-HKUMSQ3	XZU700R-HKFMTQ3	XZU710R-HKFMTQ3	XZU720R-HKFMTQ3
Nominal Body Length ((WBx.6)+CA-80)	3,850	4,840	5,550	4,840	5,550	3,850	4,840	5,550
Wheelbase (WB)	2,810	3,430	3,870	3,430	3,870	2,810	3,430	3,870
Overall Length (OL)	5,195	6,185	6,740	6,185	6,735	5,195	6,185	6,735
Overall Width (OW)	1,995	1,995	1,995	1,995	1,995	1,995	1,995	1,995
Overall Height (OH)	2,200	2,200	2,200	2,190	2,185	2,195	2,190	2,190
Cab to Rear Axle Centre (CA)	2,250	2,870	3,310	2,870	3,310	2,250	2,870	3,310
Front Overhang (FOH)	1,110	1,110	1,110	1,110	1,110	1,110	1,110	1,110
Rear Overhang (ROH)	1,280	1,645	1,755	1,645	1,760	1,280	1,645	1,760
Front Chassis Height (FCH)	680	680	680	675	675	680	680	680
Rear Chassis Height (RCH)	750	750	750	750	750	755	755	755
Road Clearance (RC)	170	165	165	165	165	170	165	165
Front Track (FT)	1,665	1,665	1,665	1,665	1,665	1,665	1,665	1,665
Rear Track (RT)	1,480	1,480	1,480	1,480	1,480	1,480	1,480	1,480
Turning Circle	Kerb to Kerb	9,800	11,800	13,000	11,800	13,000	9,800	11,800
	Wall to Wall	11,200	13,200	14,400	13,200	14,400	11,200	13,200
Locking Fuel Tank Capacity (Lts)	100	170	170	100	100	100	170	170
Indicative chassis mass – kg (standard tools, 10 litres of fuel, spare tyre and subject to a +/- 3% tolerance)								
Total	2,245	2,320	2,350	2,460	2,475	2,215	2,310	2,320
Front	1,595	1,625	1,600	1,685	1,715	1,580	1,625	1,630
Rear	650	695	750	775	760	635	685	690
GVM STD	4,495	4,495	4,495	4,495	4,495	4,495	4,495	4,495
GVM Opt	5,500	5,500	5,500	5,500	5,500	5,500	5,500	5,500
GCM STD	7,300	7,300	7,300	7,995	7,995	7,995	7,995	7,995
GCM Opt	7,300	7,300	7,300	9,000	9,000	9,000	9,000	9,000



Drawings are for reference only to the table. For specific chassis layouts please refer to Body Mounting Manual drawings.

WARRANTY

New vehicle warranty period

Light Duty Model	Axle configuration	Standard warranty (whichever comes first)	Cab corrosion perforation	Hybrid Nickel metal Hydride Battery (whichever comes first)
300 616 & 617	4 x 2	3 years or 100,000km	36 months	5 years or 160,000km

Battery warranty – 12 months from date of delivery

* For conditions, refer to the Hino Parts & Service warranty brochure

Genuine parts or accessories warranty – 3 years unlimited kilometres when fitted by an authorised Hino dealer *



DISCLAIMER

Important notice. Hino Trucks are distributed in Australia by Hino Motor Sales Australia Pty Ltd A.C.N. 064 989 724.

All efforts have been made to ensure the information contained in this brochure was correct at time of printing or uploading. Hino Motor Sales Australia Pty Ltd reserves the right to alter any details of the specifications & equipment without notice. Hino in so far as it is permitted by law to do so, shall not be liable in any way as a result of any reliance placed by any person on anything contained in this brochure. You should therefore check with your authorised Hino dealer at the time of ordering your motor vehicle to ensure that colour, specifications, equipment, design features & options are available for the vehicle you are ordering. Please note that some options may only be available in combination with others. Authorised Hino dealers will on request provide up to date information on all accessories, design features, prices & availability.

HS300616/617-0319