

HINO

3000 Series

Tipper Range

Crew Cab Models



*717 Crew Tipper shown

ADR 80/03 Model

300 Series Tipper Range

KEY FEATURES

- Crew Cab with 7 seats (3 front, 4 rear)
- Rear Passenger Air Conditioning
- Factory Tipper Bodies
- Cruise Control
- Dual SRS Airbags
- Ventilated Disc Brakes Front and Rear
- Anti-lock Brake System (ABS)
- Vehicle Stability Control (VSC)
- Reverse Camera
- Traction Control (TRC)
- Manual or Automatic Transmission variants
- Easy Start (Manual Model Only)
- ADR 80/03 Emission using Euro 5
- Also meets EEV emission levels
- Driver Suspension seat
- ECE R-29 Cab Strength Certified

KEY SPECIFICATIONS

GVM Range.	4495 to 8500kg
GCM Range.	7300 to 12000kg
Power110kW . . (Auto)
121kW . . (Man)
Torque420Nm . . (Auto)
464Nm . . (Man)
Transmissions6 Speed . . (Auto)
6 Speed . . (Man)
Tipper Volume3.2m ³ and 3.4m ³
Tipper Length 3.8m and 4.0m



Tipper Range

Crew Cab Models

Engine & Driveline specifications

ENGINE

Model	N04C-US	N04C-UT
	Auto	Manual
Max output ISO Net @ 2500 RPM	110kW (150 hp)	121kW (165 hp)
Max Output ISO Net @ 1400 RPM	420Nm	464Nm
Max Engine Speed	3100 RPM	
Type	Diesel, 4 cylinder, OHV, fluid cooled	
Combustion System	Direct injection type	
Bore & Stroke	104mm x 118mm	
Piston displacement	4.009 Lts	
Fuel Injection	Electronic control, common rail type	
Air Intake system	Turbo, intercooled	
Air Cleaner	Paper Element	
Fan Clutch	Equipped	
Exhaust	Catalytic convertor with Diesel Particulate Active reduction system (DPR)	
Exhaust Outlet	Horizontal (Rear facing)	
Emission Control System	EGR & DPR meeting ADR 80/03 using Euro 5. Also meeting EEV emission levels	

CLUTCH (Manual models only)

Clutch type	Dry single plate, diaphragm type with damper springs
Facing outside diameter	325mm
Facing lining area	483cm ² x 2
Control	Hydraulic with vacuum booster

TRANSMISSION

Auto	A860E Full automatic 6 speed with double overdrive
Manual	MZZ6F 6 speed synchromesh with single overdrive

BRAKES

Service brakes	Hydraulic system with ventilated disc brakes front and rear
Control	Vacuum servo with hydraulic assist & dual circuits
Anti Lock Braking System	Equipped
Vehicle Stability Control (VSC)	Equipped
TRaction Control (TRC)	Equipped
Easy Start system (ES)	Equipped (manual models only)
Exhaust Brake	Electro Vacuum actuator with valve in the exhaust pipe
Park Brake	Rear of Transmission

PERFORMANCE & GEAR RATIOS

For performance data, see the table on the back page.

A860E Automatic transmission

1st	3.743	5th	0.773
2nd	2.003	6th	0.634
3rd	1.343	Rev.	3.697
4th	1.000		

MZZ6F Manual transmission

1st	6.369	5th	1.000
2nd	3.767	6th	0.782
3rd	1.966	Rev.	6.369
4th	1.355		

ELECTRICAL

Type	24 volt, negative earth
Batteries	12V x 2, series connected
Alternator type	Built-in rectifier and voltage regulator
Capacity	24V – 80AMP
Starter capacity	24V, 4.5kW

CHASSIS FRAME

Type	Ladder-shaped channel section side rails
Chassis width at rear	750mm
Max Section in mm	192.8 x 65 x 5.9 (depth x flange x thickness)
Tensile strength	540N/mm ²
Towing hooks	Equipped at front and rear

STEERING

Type	Telescopic and Tilt Steering column with Recirculating Ball with integral Power steering
------	--

CAB EXTERIOR

Type	Forward control, all steel welded construction, fully trimmed
Windscreen wipers	Electric, dual wipers, intermittent and 2-speed
Outside rear mirrors	Remote control and heated & two convex spotters
Radiator grille	Painted same colour as cabin
Lamps	Halogen headlamps and fog lamps

GENUINE ACCESSORY OPTIONS

Bull bar	LED driving lights
Chrome wheel covers	Stoneguard
Truck specific GPS nav with Live Traffic	Sunvisor
Additional cameras (Up to 3 extra)	Hino Traq telematics

Please check with your dealer for price, availability & fitment for these options



Tipper Range

Crew Cab Models

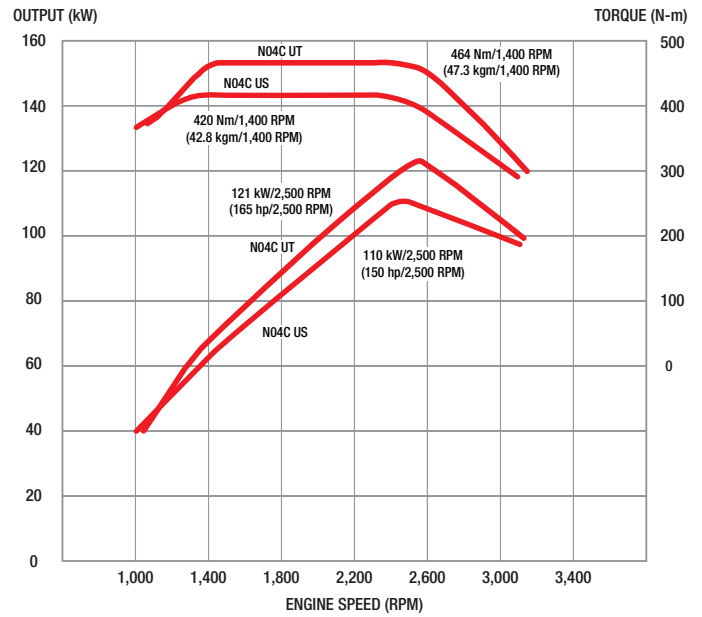
Cab Equipment, Power Charts & Body Details



CAB INTERIOR

Windscreen glass	Laminated glass	
Seating capacity	Seven	
Driver's seat	4-way adjustable, urethane pads, high-back, lumbar support with suspension base	
Assistant's seat	Fixed bench, urethane foam pads, high-back	
Seat cover	Fabric cover	
Seat belts	Driver's seat	3-point type with ELR and pre-tensioner
	Assistant's seat	3-point type with ELR and pre-tensioner
	Centre passenger's seat	2-point type
Rear seat	Outer 3-point type, Inner 2-point type	
Sun visors	For driver and passenger	
Ventilator	Forced type by electric blower	
Inside rear mirror	One, flat type	
Cigarette lighter (24 volt)	Equipped	
Multimedia System	6.5" LCD, HD touch screen display with DAB+ AM/FM radio, AUX input, Bluetooth® 4.1, Android 6.0, CANBUS connected and Wi-Fi enabled	
Heater and defroster	Dual zone	
Air conditioner	Dual zone	
Remote door locking	Equipped	
Immobiliser	Equipped	
Power windows	Equipped	
SRS airbags	Equipped for driver and assistant	
Drivers foot rest	Equipped (Auto models only)	
Seat back console	Equipped	
Overhead consoles	For driver and assistant	
Cup holder	Equipped	
Cruise control	Equipped	

COMBINED Power & Torque chart (ISO Net) N04C UT & N04C US



TIPPER BODY DETAILS

Model	717 Manual	816 Auto	917 Manual
Capacity		3.2m ³	3.4m ³
Body Length		3.8m	4.0m
Body Width	2000mm		
Body Side Height	430mm		
Tipping Angle (deg)	50		
Deck Plate Thickness	3.2mm		4.5mm
Front Plate Thickness	2.3mm		3.2mm
Tailgate Thickness	3.2mm		
Hydraulic Cylinder Bore & Stroke	100 x 510mm		
Safety prop	Equipped		
PTO	On Transmission		
Hydraulic Pump	Type	Gear Type	
	Model	VC03-15	
PTO & Tip Control	Lever in Cab		
Body Lock	Standard		
Rope Rails	Standard		
Drop Sides	Standard		
2 way gates hinged from the top and sides	Standard		
Retractable Tarp	Dealer fit option		

INSTRUMENTS

Meters and gauges	Switches
km-kg system	Lighting
Engine tachometer	Wiper and washer
Speedometer	Exhaust brake
Warning, pilot lamps and buzzers	Easy Start*
Turning signal & hazard indicator lamp	Easy Start release timing adjuster*
Exhaust brake indicator lamp	Cruise Control
Engine oil pressure warning lamp	Traction Control OFF
Battery charge warning lamp	PTO Engaged
High beam indicator lamp	Multi Information Display
Parking brake indicator lamp	Fuel gauge
Engine malfunction indicator lamp	Coolant temperature gauge
Fuel level warning lamp	DPR accumulation gauge
Fuel filter water accumulating level warning lamp	Odometer
Brake fluid level warning lamp	2 trip meters
Back-up warning buzzer	Fuel consumption
ABS system failure warning lamp	- Current
SRS airbag system failure warning lamp	- Average
Easy Start indicator lamp*	Others
Cruise Control	Horn button
PTO Engaged	Remote door locking

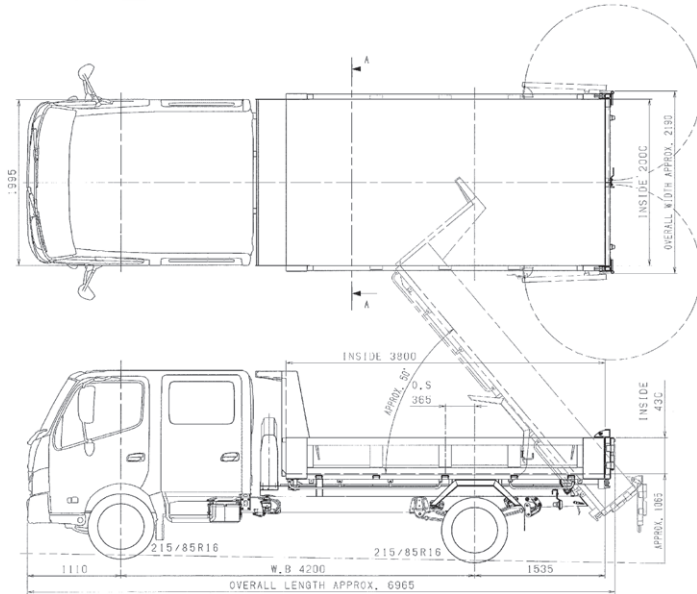
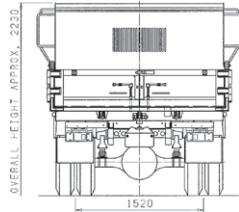
* Easy start components are for Manual models only



Tipper Range Crew Cab Models

300 Series

Dimensions



717 and 816 shown.

Drawings are for reference only to the table. For specific chassis layouts please refer to Body Mounting Manual drawings.

DIMENSIONS – mm / Capacities

Models	717 Man Tipper	816 Auto Tipper	917 Man Tipper
Product Code	XZU730R-QKFQTQ3 D	XZU730R-QKTRSQ3 D	XZU730R-QKFTTQ3 D
Turning Circle	Kerb to Kerb	13800	14800
	Wall to Wall	15200	16200
Load Rating	Front Axle	2800	3100
	Rear Axle	5280	6000
Wheel Base	4200		
Overall length	6965	7015	
Width	2190		
Height	2230	2250	2260
Rear Overhand (ROH)	1535		1585
Fuel Tank Capacity	100 lts		
Performance Data			
Max Theoretical Speed	129 km/h	135 km/h	119 km/h
Engine speed @ 100 km/h	2400 RPM	2300 RPM	2600 RPM
Wheels & Tyres	215/85R 16		225/80R 17.5
Final Drive Ratio	4.333:1	5.125:1	4.875:1
Approx Mass – kg	Total	3755	4010
	Front	1940	1960
	Rear	1815	2050
	GVM STD	6500	7995
	OPT	4495	8500
	GCM STD	10000	11500
OPT	7995	12000	

Approximate mass includes standard tools, fuel, spare tyre and subject to ±3% tolerance.

WARRANTY

New vehicle warranty period

Light Duty Model	Axle configuration	Standard warranty (whichever comes first)	Cab corrosion perforation
300 SERIES Crew Cab Tipper Range	4 x 2	3 years or 100,000km	36 months

Battery warranty – 12 months from date of delivery

* For conditions, refer to the Hino Parts & Service warranty brochure

Genuine parts or accessories warranty – 3 years unlimited kilometres when fitted by an authorised Hino dealer *



DISCLAIMER

Important notice. Hino Trucks are distributed in Australia by Hino Motor Sales Australia Pty Ltd A.C.N. 064 989 724.

All efforts have been made to ensure the information contained in this brochure was correct at time of printing or uploading. Hino Motor Sales Australia Pty Ltd reserves the right to alter any details of the specifications & equipment without notice. Hino in so far as it is permitted by law to do so, shall not be liable in any way as a result of any reliance placed by any person on anything contained in this brochure. You should therefore check with your authorised Hino dealer at the time of ordering your motor vehicle to ensure that colour, specifications, equipment, design features & options are available for the vehicle you are ordering. Please note that some options may only be available in combination with others. Authorised Hino dealers will on request provide up to date information on all accessories, design features, prices & availability.

HS300CREWTIPPER-0319